

# Entría 4-Door Controller Installation Guide



Updated February 2026





## Contents

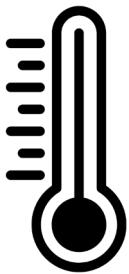
Items Included.....	3
Connection Wiring.....	4
Internet.....	4
Cellular .....	5
Expansion Board Jumpers.....	6
Dry Contact Relay.....	7
Wet Contact Relay.....	7
Relay Operation Configuration.....	8
Supported Devices.....	9
Camera Wiring.....	9
Device Grounding.....	12





## Items Included

- Entría Unit
- 12 Volt / 5 amp Power Supply
- Customer Information Packet



### Operating Temperatures

-20° to 70° C  
-4° to 158° F

### Power Wiring Guidelines

Gauge Wire	Wire Run
18	25 feet
16	50 feet
12	60 feet

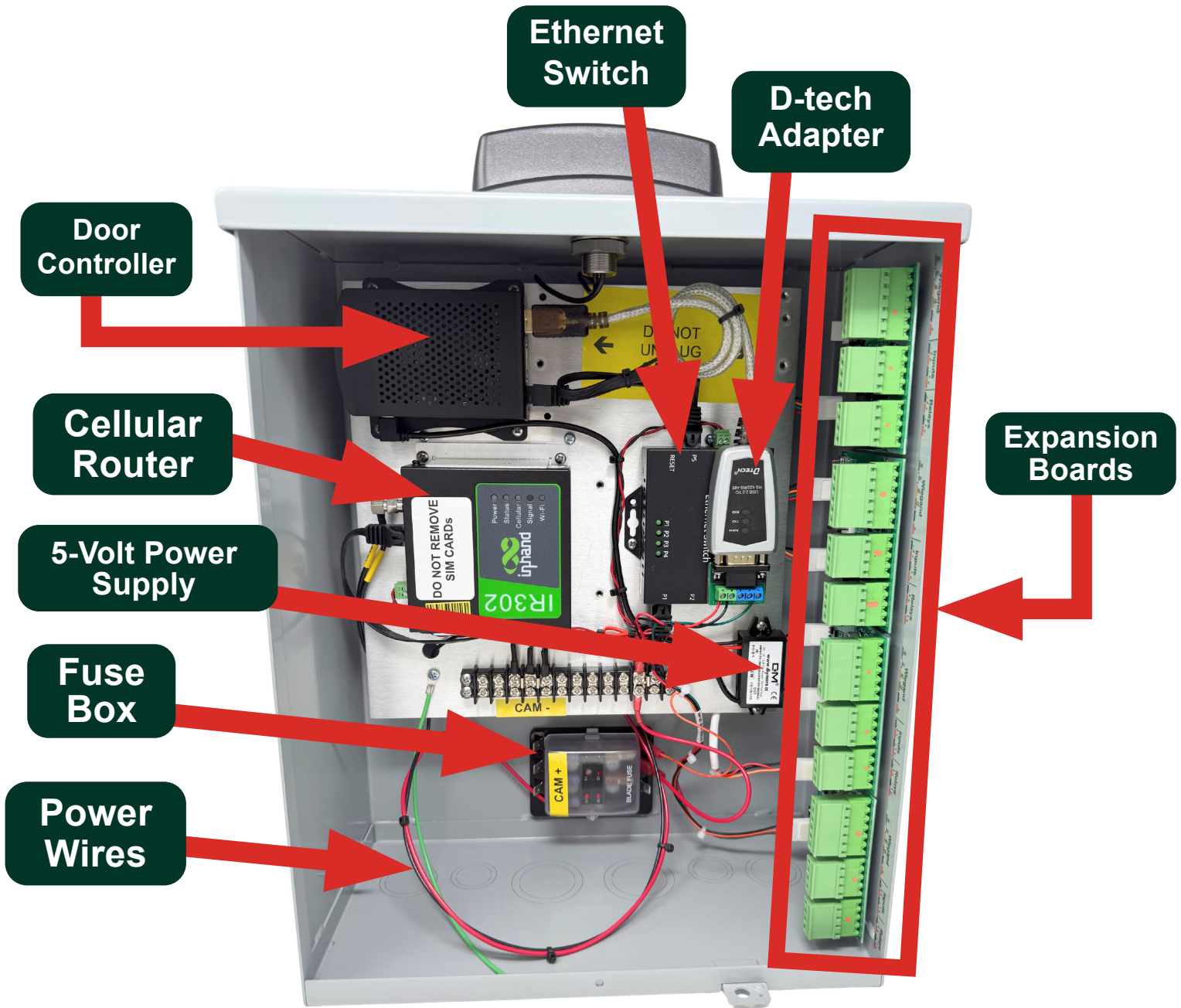


**Required wiring:** 6 conductor stranded and shielded for main device.  
**Pay attention to polarity.** The system uses DC power.


We do not recommend running wires over 60 feet.



## Device Overview: Cellular

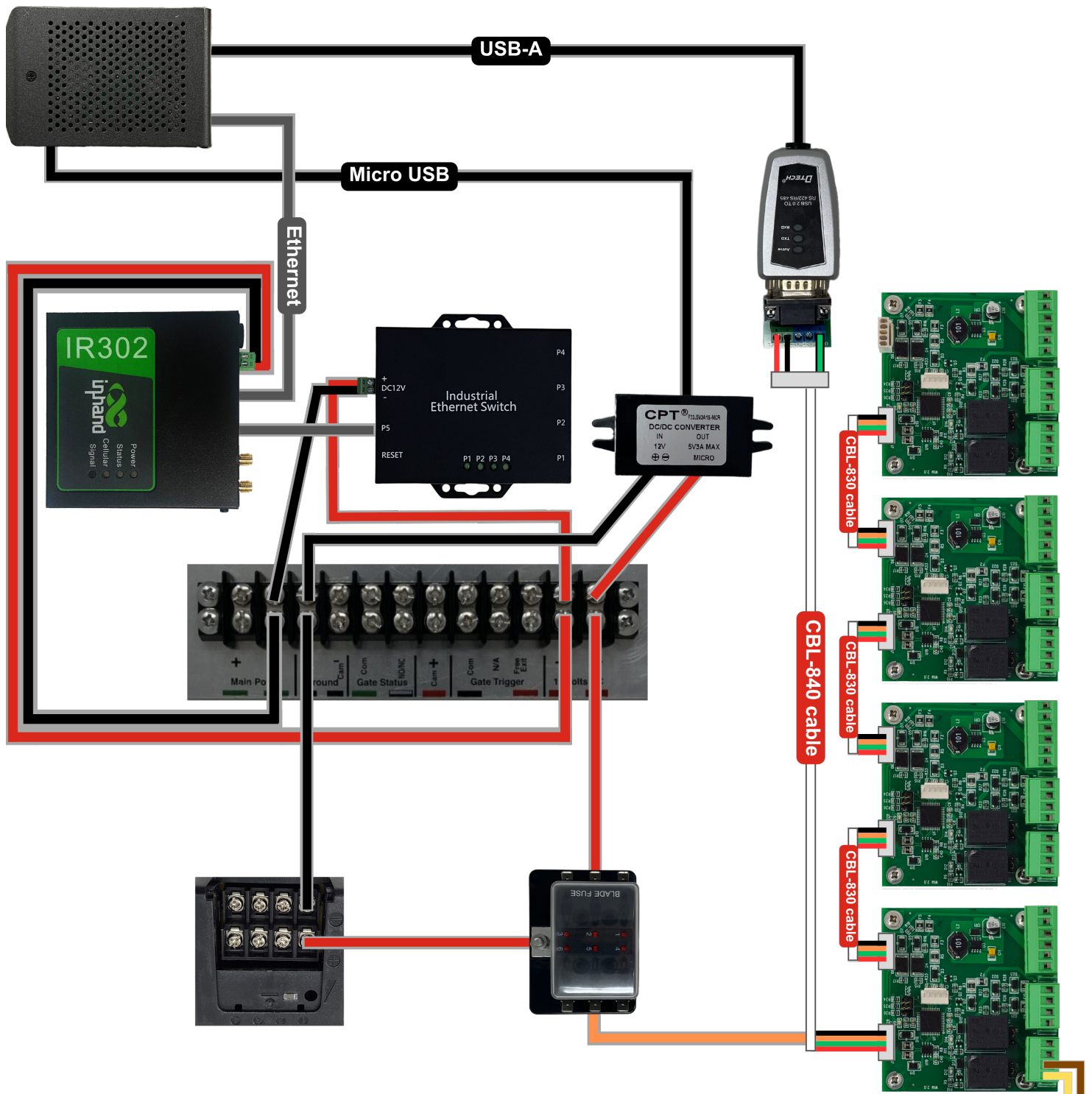


**!** Ensure the system is powered off before unplugging any cables, including **USB-A**, **Micro USB**, **CBL-840** and **CBL-830**. Disconnecting these while powered on will damage the equipment.

 Updated Expansion Boards have an orange dot on the side. They cannot be mixed with previous boards.



## Connection Wiring: Cellular

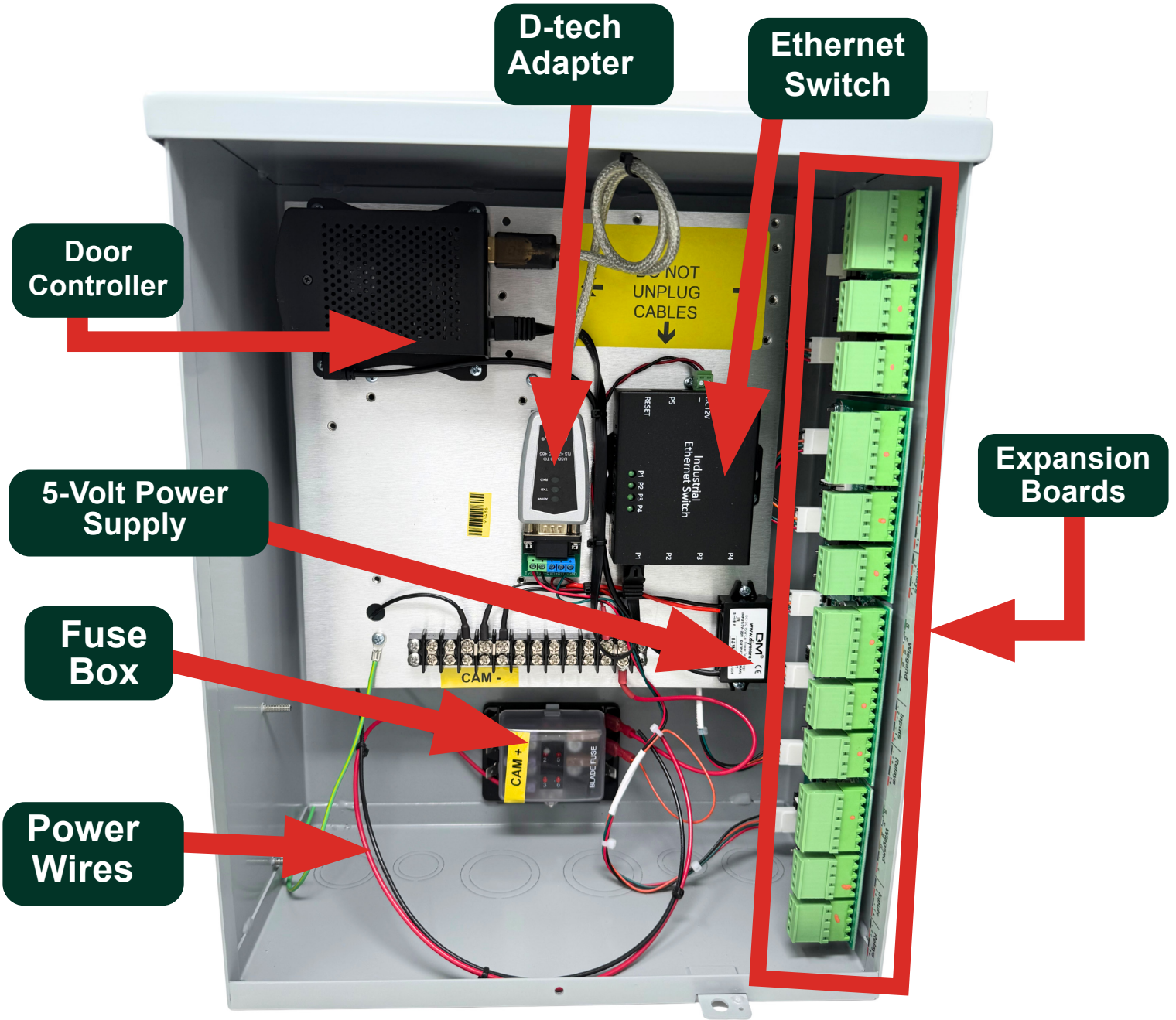


! Ensure the system is powered off before unplugging any cables, including **USB-A**, **Micro USB**, **CBL-840** and **CBL-830**. Disconnecting these while powered on will damage the equipment.

Gate



## Device Overview: VPN



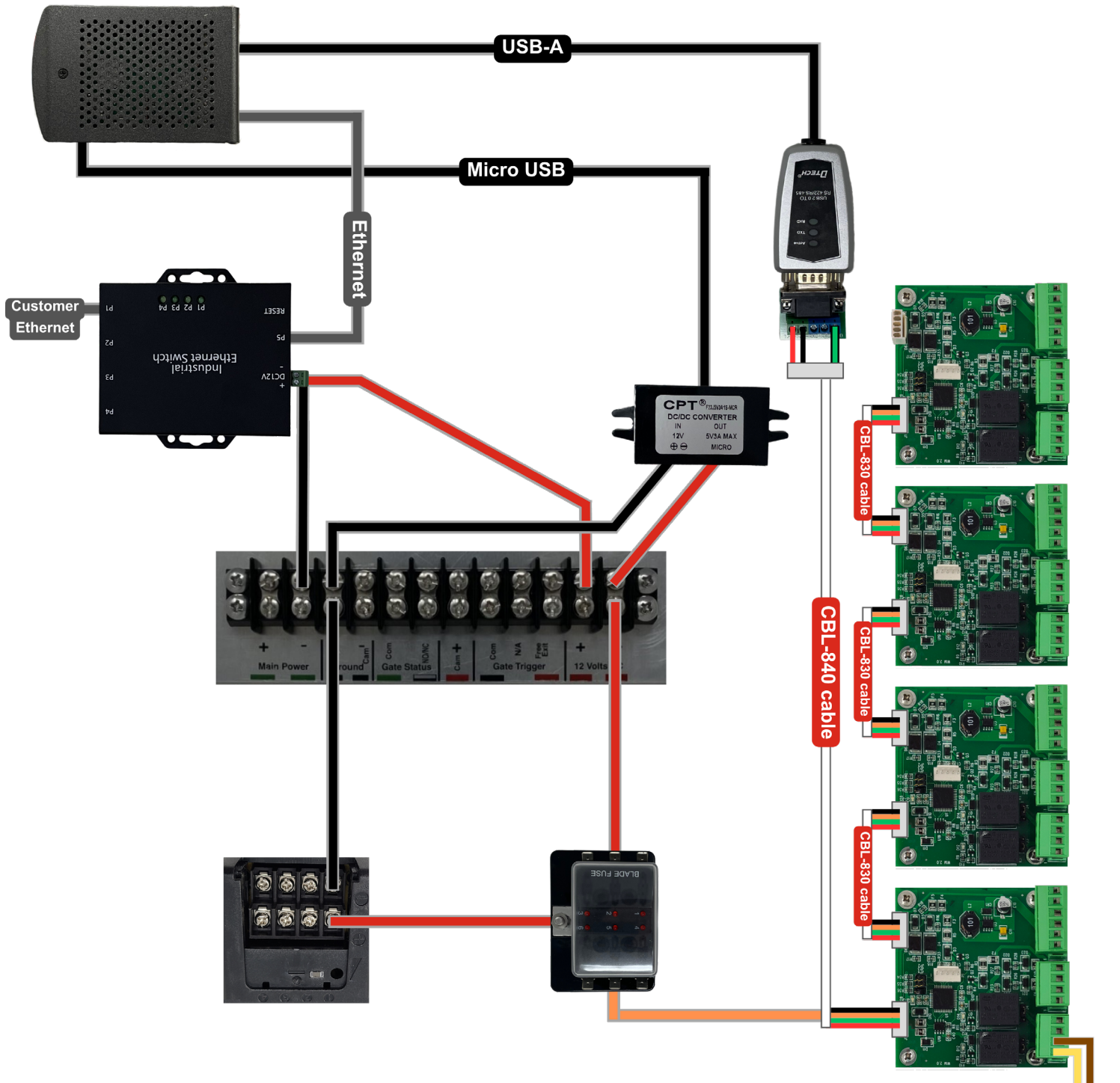
Ensure the system is powered off before unplugging any cables, including **USB-A**, **Micro USB**, **CBL-840** and **CBL-830**. Disconnecting these while powered on will damage the equipment.



Updated Expansion Boards have an orange dot on the side. They cannot be mixed with previous boards.



## Connection Wiring: VPN



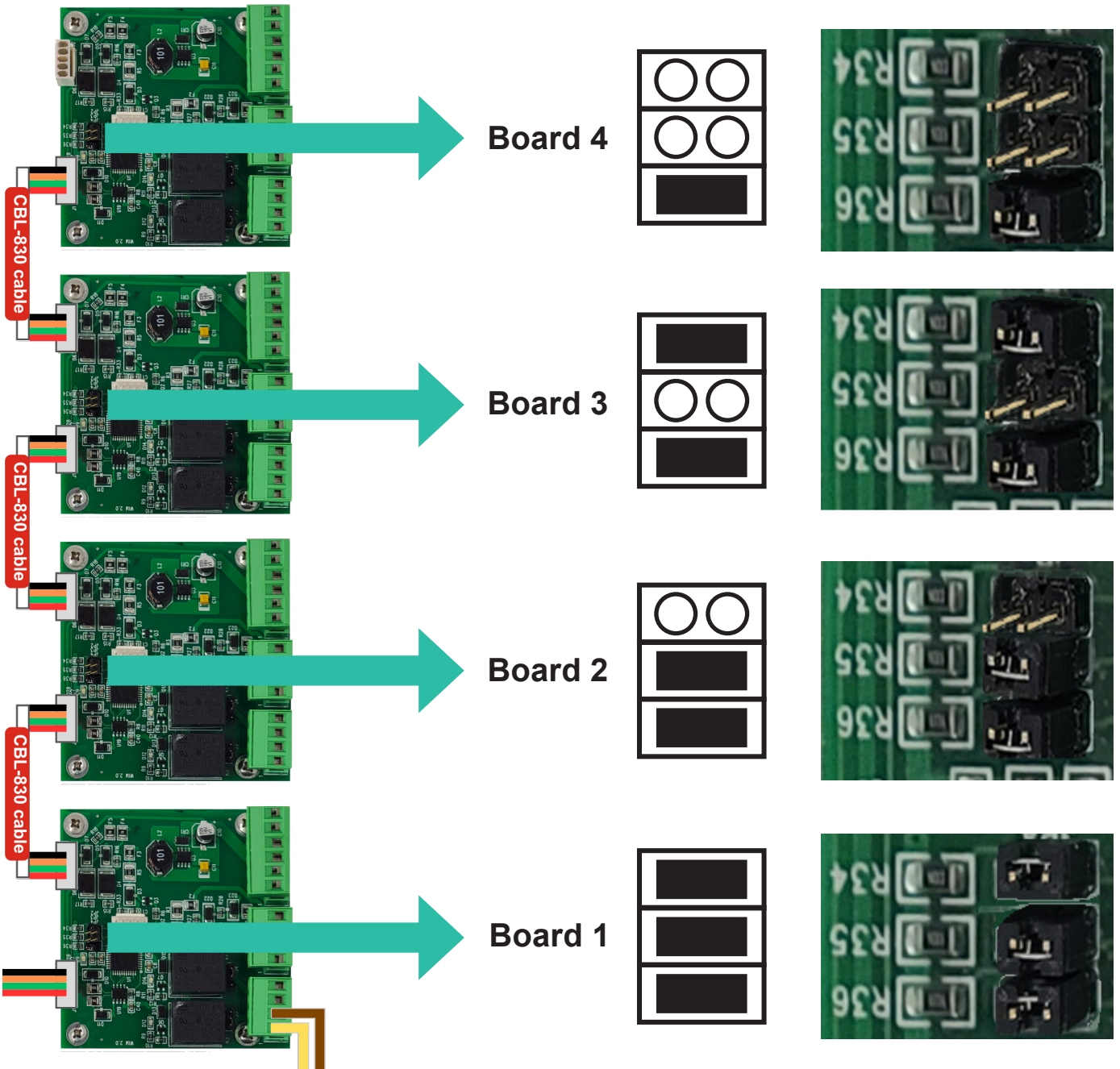
**!** Ensure the system is powered off before unplugging any cables, including **USB-A**, **Micro USB**, **CBL-840** and **CBL-830**. Disconnecting these while powered on will damage the equipment.

Gate



## Expansion Board Jumpers

Jumpers allow you to identify the expansion boards. The number and configuration of jumpers on each expansion board identifies the expansion board.

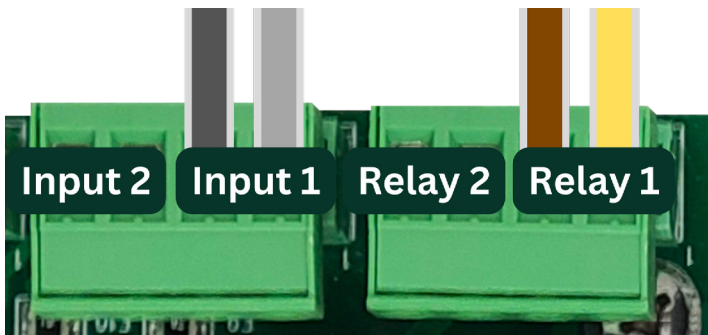


Gate

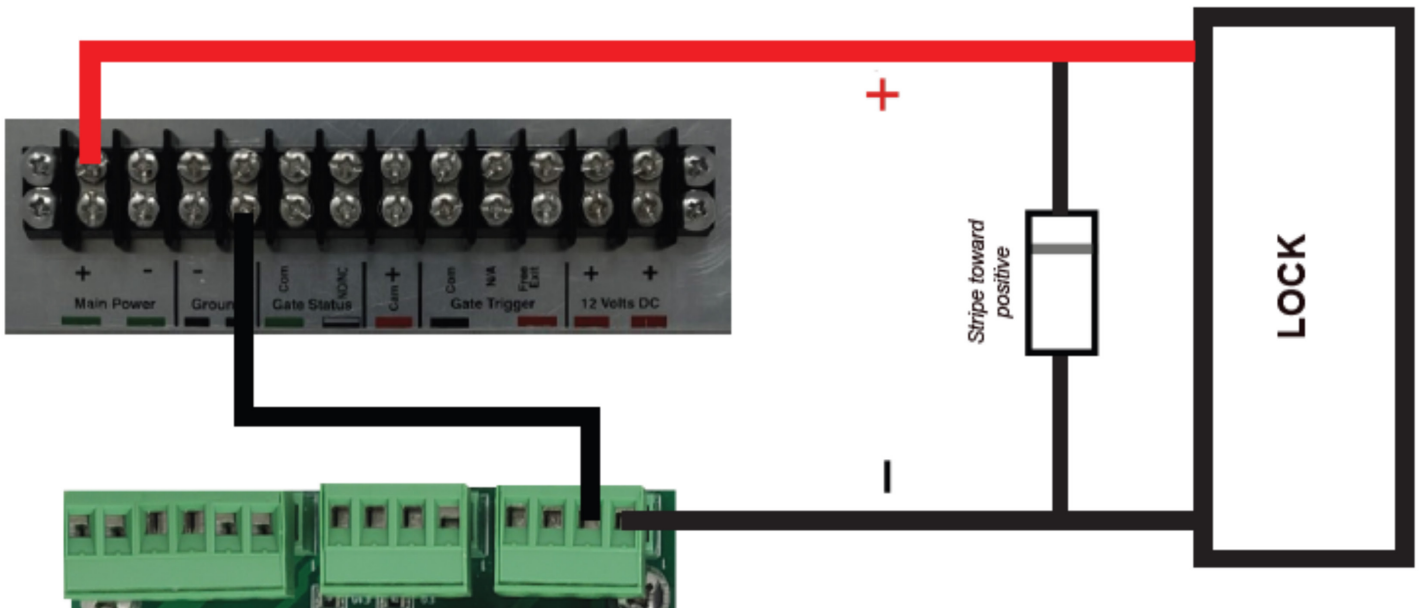
**!** Do not adjust the **jumpers** while the device is powered on.



## Dry Contact Relay



## Wet Contact Relay



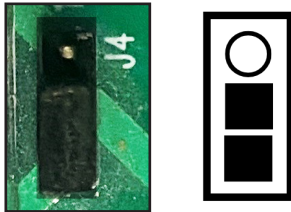


## Relay Operation Configuration (Normally Open / Closed Settings)

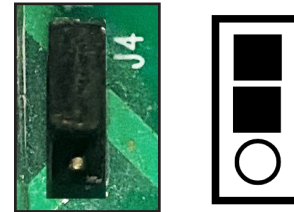
Jumper configurations for Normally Open and Normally Closed are shown below. The jumpers can be found next to the relays on the expansion boards.

**By default, relays are Normally Open.**

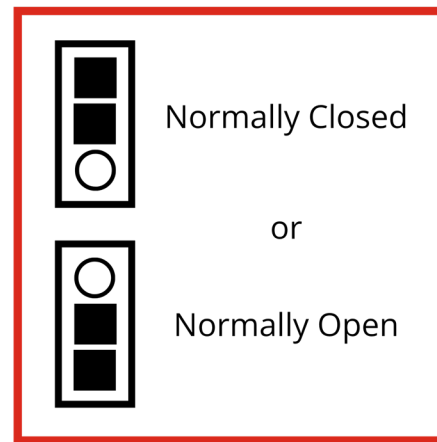
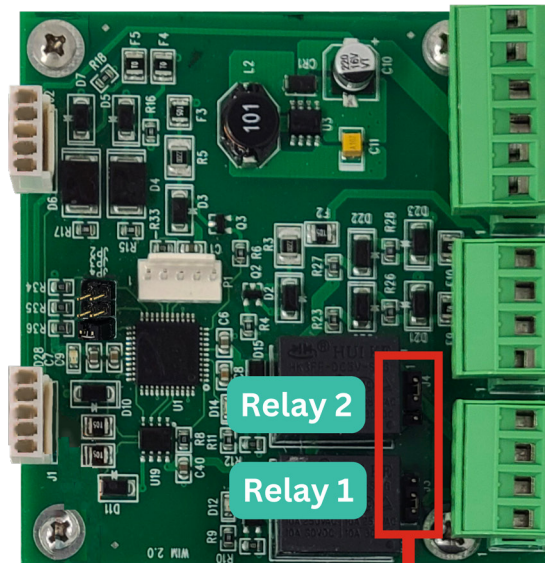
### Normally Open



### Normally Closed



Relay 1 and Relay 2 can be set independently. Their configurations are not dependent upon each other. When wiring the expansion board, ensure that the wiring matches the state of the relay.



For a 12V Magnetic Lock, set the jumpers as shown above, whether Normally Open or Closed.



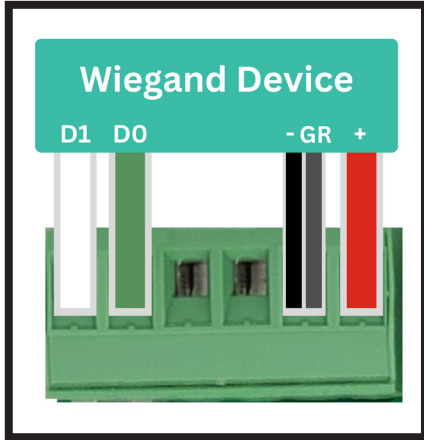
Do not adjust the **jumpers** while the device is powered on.



## Entría Supported Devices

Any 26-bit Wiegand device (up to 4)

**Required wiring:** 18/4 conductor stranded and shielded for optional Wiegand devices.



CellGate Wiegand Device



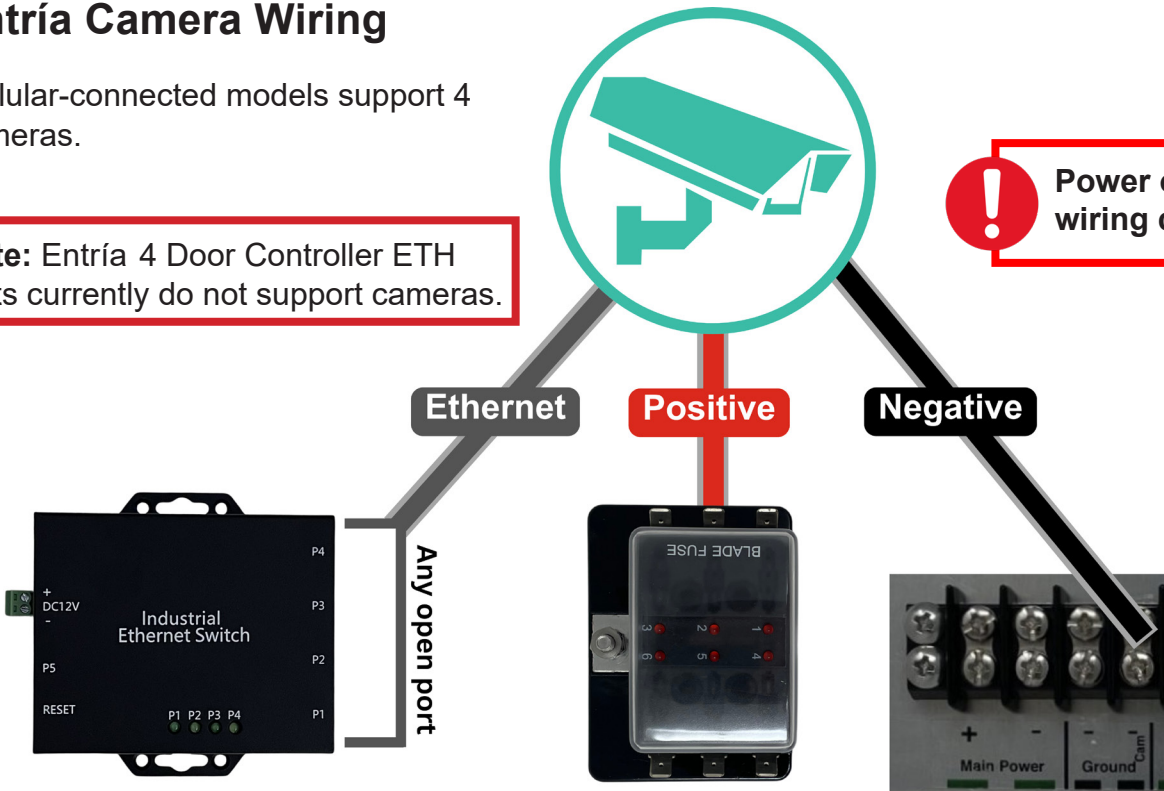
Generic Wiegand Device

## Entría Camera Wiring

Cellular-connected models support 4 cameras.

**Note:** Entría 4 Door Controller ETH units currently do not support cameras.

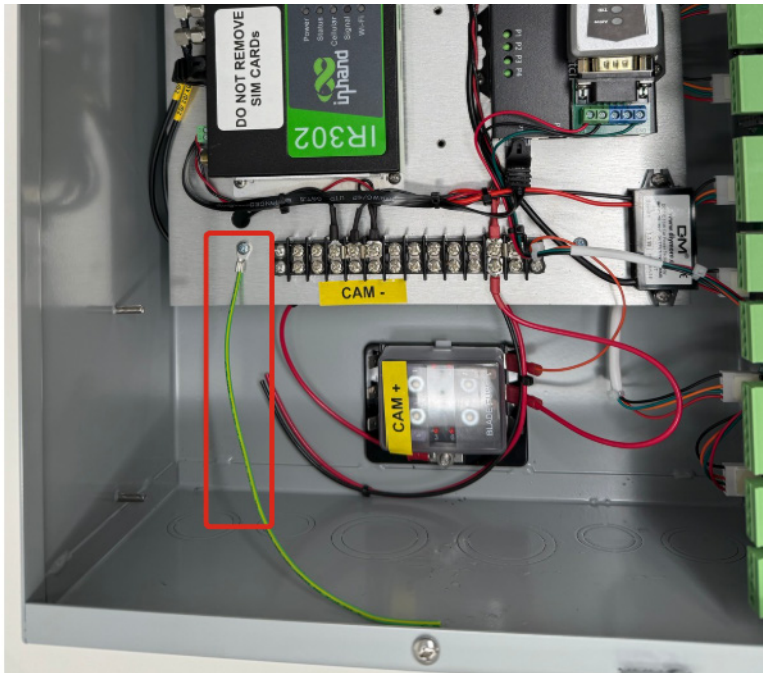
**Power off Entría before wiring cameras.**



If 3-4 cameras are connected, then Entría might become overloaded with power. If so, power one or more of the cameras with a separate 12V transformer.



## Device Grounding



The device includes a pre-attached 16-gauge grounding wire that must be connected to an appropriate ground.

